



Cod.1099/790

## 8MP 44X Super starlight AEW PTZ camera

### TECHNICAL FEATURES

#### PTZ Camera

- Auto-Tracking Early Warning (AEW)
- Up to 1920x1080@60fps
- Min. illumination Color: 0.0008Lux@F1.5
- Optical zoom: 44x, digital zoom 16x

#### Panoramic Camera

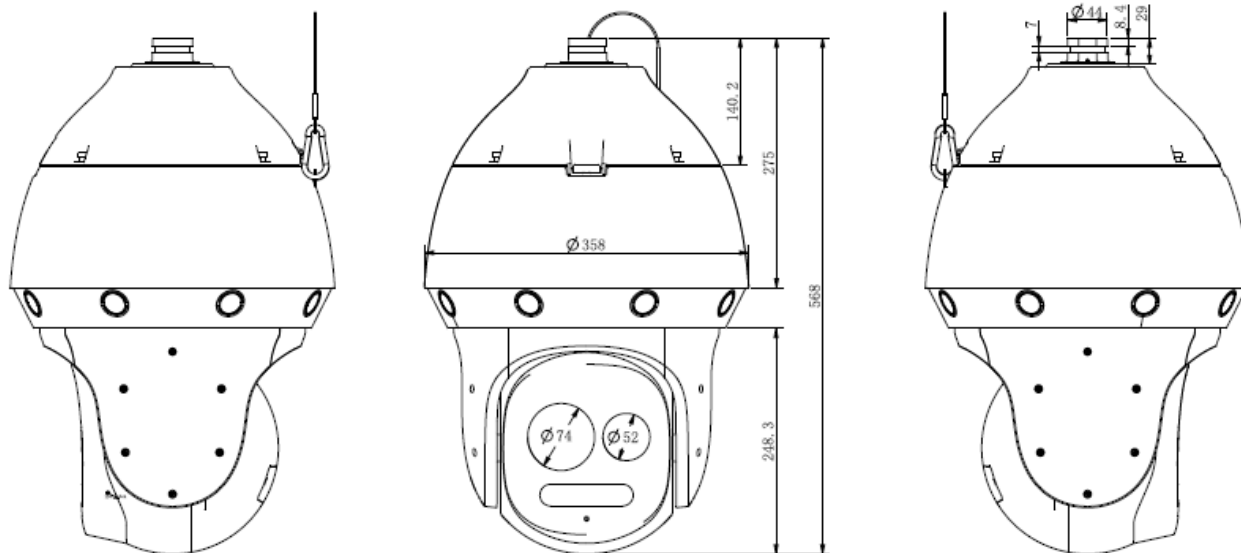
- Four 1/1.8" CMOS
- Up to 4096x1800@30fps
- Horizontal: 180°, Vertical: 74°
- Built-in Speaker
- S+265/H.265/H.264/M-JPEG
- IP66

PTZ Camera	
Image Sensor	1/1.8" CMOS
Signal System	PAL/NTSC
Min. Illumination	Color: 0.0008lux@ (F1.5, ACG ON)
Shutter Time	1s to 1/100,000s
Day & Night	Dual IR Cut Filter
Wide Dynamic Range	140dB
Focal Length	6mm ~ 264mm, 44x optical lens
Digital Zoom	16x
Zoom Speed	<5s
Angle of View	Horizontal field of view: 61.2° (w) ~ 2° (t)
Aperture Range	F1.5~F4.8
Pan Range	360°
Pan Speed	Pan Manual Speed: 0.1°~160°/s, Pan Preset Speed: 200°/s
Tilt Range	-16°~90° (Auto flip)
Tilt Speed	Tilt Manual Speed: 0.1°~120°/s, Tilt Preset Speed: 120°/s
3D Position	Yes
Presets	500
Preset Accuracy	±0.3°
Scan	8
Cruise	16, up to 32 presets per cruise
Pattern	8, each with 600s memory or 1000 orders
Power-off Memory	Yes
RS-485 Protocols	DOME_PELCO_D, DOME_PELCO_P, DOME_PLUS
Max. Resolution	1920x1080
Main Stream	PAL: 50fps (1920x1080, 1280x960, 1280x720) NTSC: 60fps (1920x1080, 1280x960, 1280x720)
Sub Stream	PAL: 25fps (704x576, 704x288, 352x288) NTSC: 30fps (704x480, 704x240, 352x240)
Third Stream	PAL: 25fps (1920x1080, 1280x960, 1280x720, 640x480, 704x576, 352x288) NTSC: 30fps (1920x1080, 1280x960, 1280x720, 640x480, 704x480, 352x240)
Panoramic Camera	
Image Sensor	1/1.8" CMOS
Signal System	PAL/NTSC
Min. Illumination	Color: 0.01lux@ (F2.2, ACG ON)
Shutter Time	1s to 1/100,000s
Focal Length	5mm
Aperture Range	F2.2
Angle of View	Horizontal: 180°, Vertical: 74°
Max. Resolution	4096x1800
Main Stream	PAL: 25fps (4096x1800, 3840x1680, 2720x1192) NTSC: 30fps (4096x1800, 3840x1680, 2720x1192)
Sub Stream	PAL: 25fps (704x320) NTSC: 30fps (704x320)
Third Stream	PAL: 25fps (1280x560) NTSC: 30fps (1280x560)
Illuminator	
IR LEDs	8
IR Range	Up to 180m
IR Irradiation Angle	Adjustable by Zoom
White LEDs	2

Compression Standard	
Video Compression	S+265/H.265/H.264/M-JPEG
Video Bit Rate	32Kbps~16Mbps
Audio Compression	G.711A/G.711U/ADPCM/AAC
Audio Bit Rate	8K ~ 48Kbps
Feature	
Alarm Trigger	Harsh Voice Alarm, Motion Detection, Mask Alarm, Port Alarm, Network Disable Alarm, IP Conflict, MAC Conflict Detection
Video Analytics	Tripwire, Double Tripwire, Perimeter, Object Abandon, Object Lost, Loitering, Running, Parking, Face Detection, People Counting, Crowded, On Duty Detection, Video Abnormal, Audio Abnormal, Heatmap, Safety Helmet Detection
Early Warning(EW)	Yes
Auto-Tracking	Yes
Image Setting	Saturation, brightness, contrast, sharpness, adjustable by client software or web browser
Image Enhancement	BLC/3D DNR/HLC
ROI	7 Dynamic Areas for Both Main and Sub Stream, support auto-tracking ROI
OSD	16×16, 24×24,32×32, 48×48, 64×64, 96×96, adaptable size, Letters Such as Week, Date, Time, Total 5 Regions
Picture Overlay	Yes
Privacy Mask	Yes
Smart Defog	Yes
Network	
Protocols	TCP/IP, ICMP, HTTP, HTTPS, DHCP, DNS, DDNS, MULTICAST, UPnP, FTP, IPV4, NTP, RTSP, SMTP, IGMP, QoS, PPPoE
System Compatibility	ONVIF (PROFILE S), SDK, CGI, P2P
ANR	Auto store video in SD card when NVR disconnected, and upload video to NVR when resumed connection
Remote Connection	7
Client	Neius Control
Web Version	Web5
Interface	
Communication Interface	1 RJ45 10M/100M/1000M self adaptive Ethernet port
Audio	1/1
Alarm	8/2
Reset Button	Yes
On-board storage	Built-in Micro SD card slot, up to 128 GB
RS-485	Yes
BNC	Yes
Wiper	N/A
General	
Firmware Version	NVSS_V15.2.0.20180828
Web Client Language	11 languages English, Russian, Spanish, Korean, Italian, Turkish, Simple Chinese, Traditional Chinese, Thai, French, Polish
Operating Conditions	-30°C~65°C, 0-95%RH
Power Supply	AC24V±15%
Power Consumption	85W (IR OFF), 110W (IR ON )
Protection	IP66
Heater	N/A
Dimensions	Φ358x568mm
Weight	16kg

## 1099/790 8MP 44X Super starlight AEW PTZ camera

### DIMENSIONS (mm)



### ACCESSORIES



Wall Mount  
Included



3000/146  
Junction box



3000/143  
Pendant bracket



3000/147  
Pole adapter



3000/145  
Corner adapter

*Technical specifications are subject to changes without notice.*

**Urmet S.p.A.** | Via Bologna, 188/C | 10154 TORINO (ITALY)

**T +39 011.24.00.000**

info@urmet.com | **urmet.com**

**CUSTOMER SERVICE +39 011.23.39.810**