



Cod.1099/625

IP 8M, Long vari-focal lens face capture camera

TECHNICAL FEATURES

- 1/1.8 inch CMOS sensor
- Focus: 10-47mm
- Up to 3840X2160@30fps
- Min. illumination Color: 0.01Lux@F1.35
- S+265/H.265/H.264/M-JPEG
- Face capture/intelligent monitoring mode
- 6 warm lights, up to 45m
- IP67

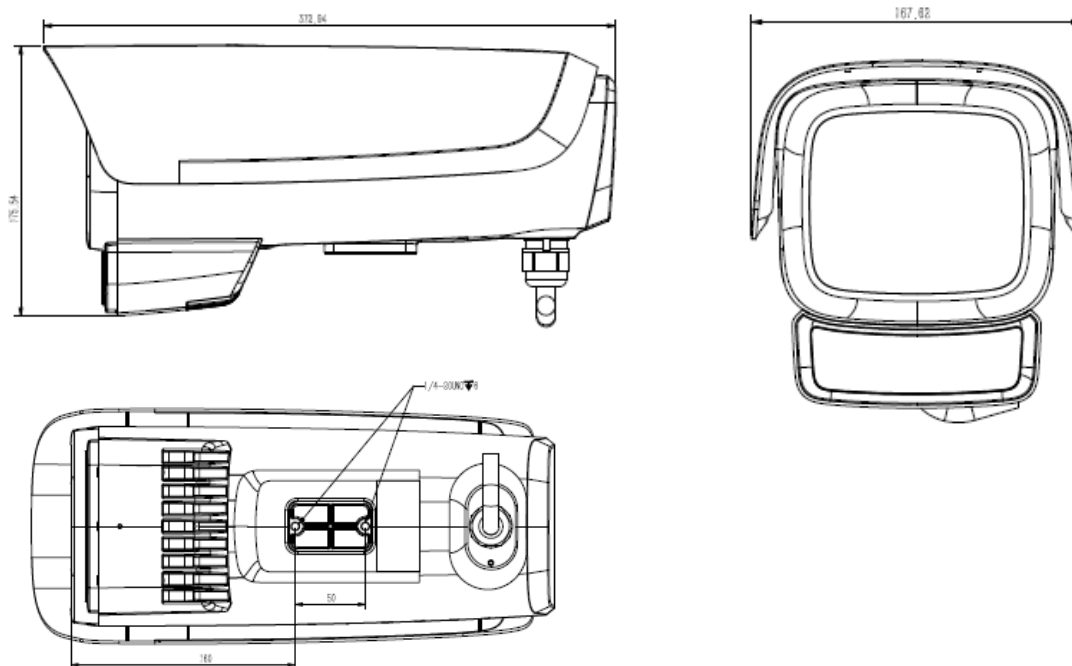
Camera	
Image Sensor	1/1.8" CMOS
Signal System	PAL/NTSC
Min. Illumination	Color: 0.01Lux@ (F1.35, ACG ON)
Shutter Time	1s to 1/100,000s
Day & Night	N/A
Wide Dynamic Range	120dB
Lens	
Lens Type	Motorized
Focus	10-47mm
Lens Mount	Integrated
Aperture	F1.35~F1.55, DC Drive
FOV	Horizontal field of view: 41°(w)~9.1°(t) Vertical field of view: 23.4°(w)~5.2°(t)
Illuminator	
IR LEDs	N/A
IR Range	N/A
Wavelength	N/A
White/Warmlight LEDs	6, Up to 45m
Compression Standard	
Video Compression	S+265/H.265/H.264/M-JPEG
Video Bit Rate	32Kbps~16Mbps
Audio Compression	G.711A/G.711U/ADPCM_D/AAC_LC
Audio Bit Rate	8K~48Kbps
Image	
Max. Resolution	3840×2160
Main Stream	PAL: 25fps (3840×2160, 3072x1728, 2560×1440, 2304×1296, 1920×1080, 1280×720) NTSC: 30fps (3840×2160, 3072x1728, 2560×1440, 2304×1296, 1920×1080, 1280×720)
Sub Stream	PAL: 25fps (704×576, 704×288, 640×480, 352×288) NTSC: 30fps (704×480, 704×240, 640×480, 352×240)
Third Stream	PAL:25fps(1920×1080, 1280×720, 640×480) NTSC:30fps(1920×1080, 1280×720, 640×480)
Image Setting	Saturation, brightness, contrast, sharpness, adjustable by client software or web browser
Image Enhancement	BLC/3D DNR/HLC/Corridor Format
ROI	Support 7 fixed regions of coding
OSD	16x16, 24x24, 32x32, 48x48, 64x64, 96x96, adaptable size, Letters Such as Week, Date, Time, Total 5 Regions
Picture Overlay	Yes
Privacy Mask	Yes, 4 regions
Smart Defog	Yes
Feature	
Alarm Trigger	Event Input, Event Output, Motion Detection, Mask Alarm, Disk Full, Disk R/W Error, IP Address Conflict, MAC Address Conflict, FTP Server Exception
Video Analytics	Tripwire, Double Tripwire, Perimeter, Object Abandon, Object Lost, Loitering, Running, Parking, Crowded, People Counting, On Duty Detection, Video Abnormal, Audio Abnormal, Heatmap, Face Capture(Face Detection), Safety Helmet Detection, Human/Vehicle Classification
Early Warning(EW)	N/A



Face Detection and Analytics	
Operating Mode	Face capture, intelligent monitoring optional, default face capture mode
Face Detection Performance	Detects up to 32 faces at the same scene
Face Exposure Brightness	Default 35, 1-100 brightness optional
Min. Face Pixel	Default 60, 38-3840 optional
Recommended Capture Distance	6-25m
Max. Capture Distance	45m
Network	
ANR	Yes, auto store video in SD card when NVR disconnected, and upload video to NVR when resumed connection
Protocols	TCP/IP, HTTP, HTTPS, DHCP, DNS, DDNS, MULTICAST, UPnP, FTP, IPv4, IPv6, NTP, RTSP, SMTP, SIP, QoS, PPPoE
System Compatibility	ONVIF (PROFILE S/T), SDK, CGI, P2P
Remote Connection	7
Client	Neius Control
Web Version	Web6
Interface	
Communication Interface	1 RJ45 10M/ 100M/1000M self adaptive Ethernet port
Audio	1/1
Alarm	1/1
Reset Button	Yes
On-board storage	Built-in Micro SD card slot, up to 128 GB
General	
Firmware Version	-
Web Client Language	15 languages English, Russian, Spanish, Korean, Italian, Turkish, Simple Chinese, Traditional Chinese, Thai, French, Polish, Dutch, Hebraism, Arabic, Vietnamese
Operating Conditions	-30°C ~ 65°C, 0 ~ 95% RH
Power Supply	AC24V±25%
Power Consumption	MAX: 17W
Protection	IP67
Heater	N/A
Dimensions	372.9x167.6x175.5mm
Weight	3kg

1099/625 IP 8M, Long vari-focal lens face capture camera

DIMENSIONS (mm)



ACCESSORIES



3000/150
Wall Mount

Technical specifications are subject to changes without notice.

Urmet S.p.A. | Via Bologna, 188/C | 10154 TORINO (ITALY)

T +39 011.24.00.000

info@urmet.com | urmet.com

CUSTOMER SERVICE +39 011.23.39.810