



Cod.1099/398

5MP Video Structure AI Dual PTZ camera

TECHNICAL FEATURES

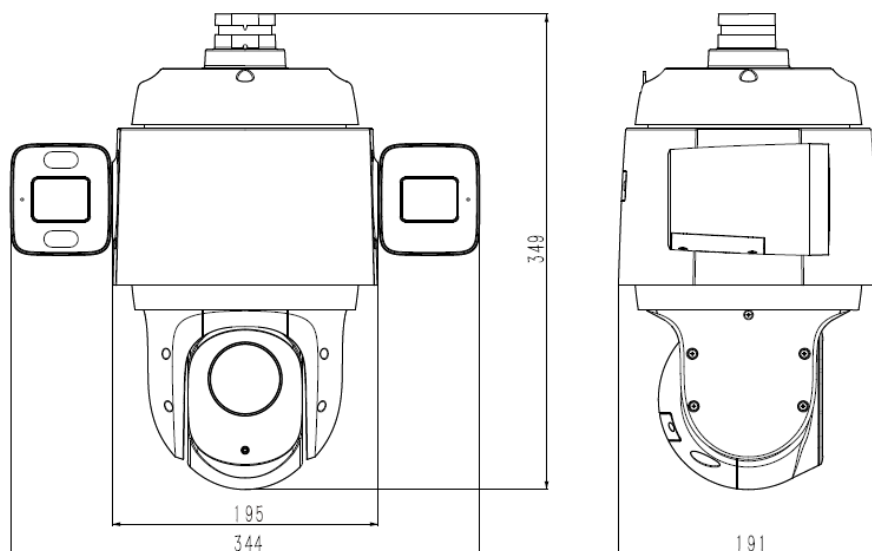
- Dual PTZ design
- 5MP varifocal PTZ-bullet for overall scenario and 5MP speed dome for detailed view
- Resolution up to 3072x1728@20fps
- Min. illumination Color: 0.0008Lux@F1.0 (PTZ-bullet)
- Optical zoom of PTZ-bullet: 4x, digital zoom 16x
- Optical zoom of speed dome: 6x, digital zoom 16x
- Smart IR, IR Range: 100m
- Support blue&red flash warning
- Built-in dual Mic& dual Speaker
- Built-in Electronic Compass
- Support video structure analysis
- S+265/H.265/H.264/M-JPEG
- Support Human/Vehicle Classification
- Plugin Free
- IP66

Camera	
Image Sensor	PTZ-bullet: 1/1.8" CMOS Speed dome: 1/1.8" CMOS
Signal System	PAL/NTSC
Min. Illumination	PTZ-bullet: Color: 0.0008Lux@ (F1.36, ACG ON), BW: 0lux with IR Speed Dome: Color: 0.0008Lux@ (F1.35, ACG ON), BW: 0lux with IR
Shutter Time	1s to 1/100,000s
Day & Night	Dual IR Cut Filter
Wide Dynamic Range	PTZ-bullet: 120dB; Speed Dome: 140dB
Optical Zoom	PTZ-bullet: 4x; Speed Dome: 6x
Digital Zoom	PTZ-bullet: 16x; Speed Dome: 16x
Lens	
Focal Length	PTZ-bullet: 2.8~12mm; Speed Dome: 9~54mm
Zoom Speed	<3s
Angle of View	PTZ-bullet: Horizontal: 84.8° (w)~49° (t), vertical: 49.3° (w)~27.6° (t) Speed Dome: Horizontal: 42.3° (w)~32.1° (t), vertical: 24.3° (w)~18.4° (t)
Aperture Range	PTZ-bullet: F1.36~F2.0; Speed Dome: F1.35~F1.55
Pan&Tilt	
Pan Range	PTZ-bullet: 260°; Speed Dome: 360°
Pan Speed	PTZ-bullet: Pan Manual Speed: 0.1°~100°/s, Pan Preset Speed: 100°/s Speed Dome: Pan Manual Speed: 0.1°~180°/s, Pan Preset Speed: 300°/s
Tilt Range	PTZ-bullet: 0°~30°; Speed Dome: -3°~90° (Auto flip)
Tilt Speed	PTZ-bullet: Tilt Manual Speed: 0.1°~15°/s, Tilt Preset Speed: 15°/s Speed Dome: Tilt Manual Speed: 0.1°~100°/s, Tilt Preset Speed: 150°/s
3D Position	Yes
Presets	PTZ-bullet: 256; Speed Dome: 500
Preset Accuracy	±0.5°
Scan	Speed Dome: 8
Cruise	Speed Dome: 16, up to 32 presets per cruise
Pattern	Speed Dome: 8, each with 600s memory or 1000 orders
Power-off Memory	Yes
RS-485 Protocols	DOME_PELCO_D , DOME_PELCO_P , DOME_PLUS
Illuminator	
IR LEDs	6
IR Range	Up to 100m
IR Irradiation Angle	Adjustable by Zoom
White LEDs	4, up to 30m
Blue&Red Flash LEDs	Yes
Compression Standard	
Video Compression	S+265/H.265/H.264/M-JPEG
Video Bit Rate	32Kbps~16Mbps
Audio Compression	G.711A/G.711U/ADPCM/AAC
Audio Bit Rate	8K ~ 48Kbps
Image	
Max. Resolution	3072x1728
Main Stream	PAL: 20fps (3072×1728), 25fps (2560×1440, 2304×1296), 50fps (1920x1080, 1280x960, 1280x720) NTSC: 20fps (3072×1728), 30fps (2560×1440, 2304×1296), 60fps (1920x1080, 1280x960, 1280x720)
Sub Stream	PAL: 25fps (704×576, 704×288, 640×360, 352×288) NTSC: 30fps (704×480, 704×240, 640×360, 352×240)
Third Stream	PAL: 25fps (352×288) NTSC: 30fps (352×240)

Image	
Image Setting	Saturation, brightness, contrast, sharpness, adjustable by client software or web browser
Image Enhancement	BLC/3D DNR/HLC
ROI	7 Dynamic Areas for Both Main and Sub Stream, support auto-tracking ROI
OSD	16×16, 24×24,32×32, 48×48, 64×64, 96×96, adaptable size, Letters Such as Week, Date, Time, Total 5 Regions
Picture Overlay	Yes
Privacy Mask	Yes
Smart Defog	Yes
Feature	
Alarm Trigger	Event Input, Event Output, Motion Detection, Mask Alarm, Disk Full, Disk R/W Error, IP Address Conflict, MAC Address Conflict, FTP Server Exception
Video Analytics	Tripwire, Double Tripwire, Perimeter, Object Abandon, Object Lost, Loitering, Running, Heatmap, Video Abnormal, Crowd, Audio Abnormal, Demographics(People Counting), On Duty Detection, Safety Helmet Detection, Auto tracking, Face Capture
Video Structure Analytics	Face metadata: age, gender, glasses, beards, masks, hat Human body metadata: gender, masks, hair, bag, tops, tops color, bottoms, bottoms color Vehicle metadata: type, color, brand Non-vehicle metadata: type
Early Warning(EW)	Yes
Auto-Tracking	Yes
Face Detection and Analytics	
Face Detection Performance	Detects up to 32 faces at the same scene
Face Exposure Brightness	Default 35, 1~100 brightness optional
Min. Face Pixel	Default 60, 26~2560 optional
Network	
Protocols	802.1X/TCP/UDP/HTTP/MULTICAST/UPnP/DHCP/PPPoE/DDNS/NFS/FTP/NTP/RTP/RTSP/IPv4/IP v6/SNMP/SMTP/RTMP
System Compatibility	ONVIF (PROFILE S/T/G), SDK, CGI, P2P
ANR	Auto store video in SD card when NVR disconnected, and upload video to NVR when resumed connection
Remote Connection	7
Client	Neius Control
Web Version	web6
Interface	
Communication Interface	2 RJ45 100M/1000M self adaptive Ethernet port
Audio	2 Mic, 1/1
Alarm	3/2
Speaker	2
Reset Button	Yes
On-board storage	Built-in Micro SD card slot, up to 512 GB
RS-485	Yes
BNC	N/A
Wiper	N/A
Electronic Compass	Yes
GPS/BDS	Yes
General	
Firmware Version	-
Web Client Language	15 languages Simplified Chinese, Traditional Chinese, English, Spanish, Korean, Italian, Turkish, Russian, Thai, French, Polish, Dutch, Hebraism, Arabic, Vietnamese
Operating Conditions	-40°C~70°C, 0-95%RH
Power Supply	AC24V±15%, DC24V±10%
Power Consumption	Max: 57W
Protection	IP66, Lightning protection, surge protection and voltage transient protection meets EN 55035:2017
Heater	Yes
Dimensions	Φ191x344x350mm
Weight	7.2kg

1099/398 5MP Video Structure AI Dual PTZ camera

DIMENSIONS (mm)



ACCESSORIES



**Wall Mount
Included**

Technical specifications are subject to changes without notice.

Urmet S.p.A. | Via Bologna, 188/C | 10154 TORINO (ITALY)

T +39 011.24.00.000

info@urmet.com | urmet.com

CUSTOMER SERVICE +39 011.23.39.810