



Cod.1099/397

## 5MP 44X Super starlight IR face capture AEW PTZ camera

### TECHNICAL FEATURES

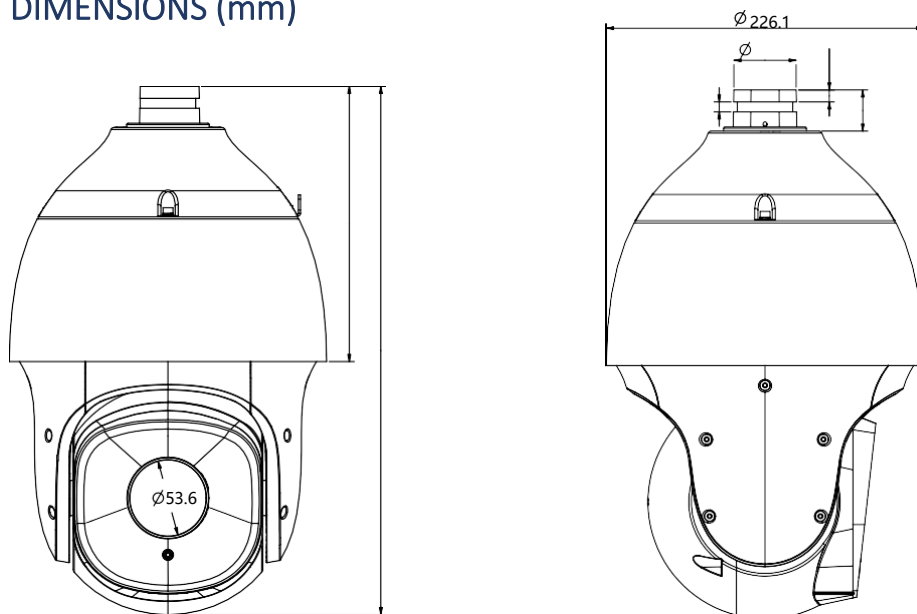
- Auto-Tracking Early Warning (AEW)
- Up to 3072x1728@20fps
- Min. illumination Color: 0.0008Lux@F1.5
- Optical zoom: 44x, digital zoom 16x
- Built-in Speaker
- Support Human/Vehicle Classification
- Face Capture/intelligent monitoring mode
- Smart IR, IR Range: 180m
- S+265/H.265/H.264/M-JPEG
- IP66

Camera	
Image Sensor	1/1.8" CMOS
Signal System	PAL/NTSC
Min. Illumination	Color: 0.0008lux@ (F1.6, ACG ON)
Shutter Time	1s to 1/100,000s
Day & Night	Dual IR Cut Filter
Wide Dynamic Range	True WDR
Optical Zoom	44x
Digital Zoom	16x
Lens	
Focal Length	6mm~264mm
Zoom Speed	<5s
Angle of View	Horizontal filed of view: 61.8°(w)~2.3° (t)
Aperture Range	F1.6~F5.3
Pan&Tilt	
Pan Range	360°
Pan Speed	Pan Manual Speed: 0.1°~180°/s, Pan Preset Speed: 240°/s
Tilt Range	-16°~90° (Auto flip)
Tilt Speed	Tilt Manual Speed: 0.1°~120°/s, Tilt Preset Speed: 180°/s
3D Position	Yes
Presets	500
Preset Accuracy	±0.4°
Scan	8
Cruise	16, up to 32 presets per cruise
Pattern	8, each with 600s memory or 1000 orders
Power-off Memory	Yes
RS-485 Protocols	DOME_PELCO_D, DOME_PELCO_P, DOME_PLUS
Illuminator	
IR LEDs	8
IR Range	Up to 180m
IR Irradiation Angle	Adjustable by Zoom
White LEDs	2
Compression Standard	
Video Compression	S+265/H.265/H.264/M-JPEG
Video Bit Rate	32Kbps~16Mbps
Audio Compression	G.711A/G.711U/ADPCM/AAC
Audio Bit Rate	8K ~ 48Kbps
Image	
Max. Resolution	3072x1728
Main Stream	PAL: 20fps (3072×1728), 25fps (2560×1440, 2304×1296), 50fps (1920x1080, 1280x960, 1280x720) NTSC: 20fps (3072×1728), 30fps (2560×1440, 2304×1296), 60fps (1920x1080, 1280x960, 1280x720)
Sub Stream	PAL: 25fps (704×576, 704×288, 640×360, 352×288) NTSC: 30fps (704×480, 704×240, 640×360, 352×240)
Third Stream	PAL: 25fps (352×288) NTSC: 30fps (352×240)
Image Setting	Saturation, brightness, contrast, sharpness, adjustable by client software or web browser
Image Enhancement	BLC/3D DNR/HLC
ROI	7 Dynamic Areas for Both Main and Sub Stream, support auto-tracking ROI
OSD	16×16, 24×24,32×32, 48×48, 64×64, 96×96, adaptable size, Letters Such as Week, Date, Time, Total 5 Regions
Picture Overlay	Yes
Privacy Mask	Yes
Smart Defog	Yes

Feature	
Alarm Trigger	Harsh Voice Alarm, Motion Detection, Mask Alarm, Port Alarm, Network Disable Alarm, IP Conflict, MAC Conflict Detection
Video Analytics	Tripwire, Double Tripwire, Perimeter, Object Abandon, Object Lost, Loitering, Running, Parking, Face Detection, People Counting, Crowded, On Duty Detection, Video Abnormal, Audio Abnormal, Heatmap, Safety Helmet Detection
Early Warning(EW)	Yes
Auto-Tracking	Yes
Face Detection and Analytics	
Operating Mode	Face capture, intelligent monitoring optional, default intelligent monitoring
Face Detection Performance	Detects up to 16 faces at the same scene
Face Exposure Brightness	Default 35, 1~100 brightness optional
Min. Face Pixel	Default 80, 19~1920 optional
Precautionary Alert	Three level
Network	
Protocols	TCP/IP, ICMP, HTTP, HTTPS, DHCP, DNS, DDNS, MULTICAST, UPnP, FTP, IPV4, NTP, RTSP, SMTP, IGMP, QoS, PPPoE
System Compatibility	ONVIF (PROFILE S), SDK, CGI, P2P
ANR	Auto store video in SD card when NVR disconnected, and upload video to NVR when resumed connection
Remote Connection	7
Client	Neius Control
Web Version	web6
Interface	
Communication Interface	1 RJ45 10M/100M self adaptive Ethernet port
Audio	1/1
Alarm	8/2
Speaker	N/A
Reset Button	Yes
On-board storage	Built-in Micro SD card slot, up to 128 GB
RS-485	Yes
BNC	Yes
Wiper	Yes
General	
Firmware Version	NVSS_V20.3.1.20190612
Web Client Language	12 languages English, Russian, Spanish, Korean, Italian, Turkish, Simple Chinese, Traditional Chinese, Thai, French, Polish, Dutch
Operating Conditions	-30°C~65°C, 0-95%RH
Power Supply	AC24V±15%
Power Consumption	22W (IR OFF), 49W (IR ON)
Protection	IP66
Heater	N/A
Dimensions	Φ222x372mm
Weight	5.5kg

## 1099/397 5MP 30X Starlight IR POE AI PTZ Camera

### DIMENSIONS (mm)



### ACCESSORIES



Wall Mount  
Included



3000/146  
Junction box



3000/143  
Pendant bracket



3000/147  
Pole adapter



3000/145  
Corner adapter

*Technical specifications are subject to changes without notice.*

**Urmet S.p.A.** | Via Bologna, 188/C | 10154 TORINO (ITALY)

**T** +39 011.24.00.000

info@urmet.com | **urmet.com**

**CUSTOMER SERVICE** +39 011.23.39.810