



Cod.1099/396

## 2MP 33X Starlight IR POE AI PTZ Camera

### TECHNICAL FEATURES

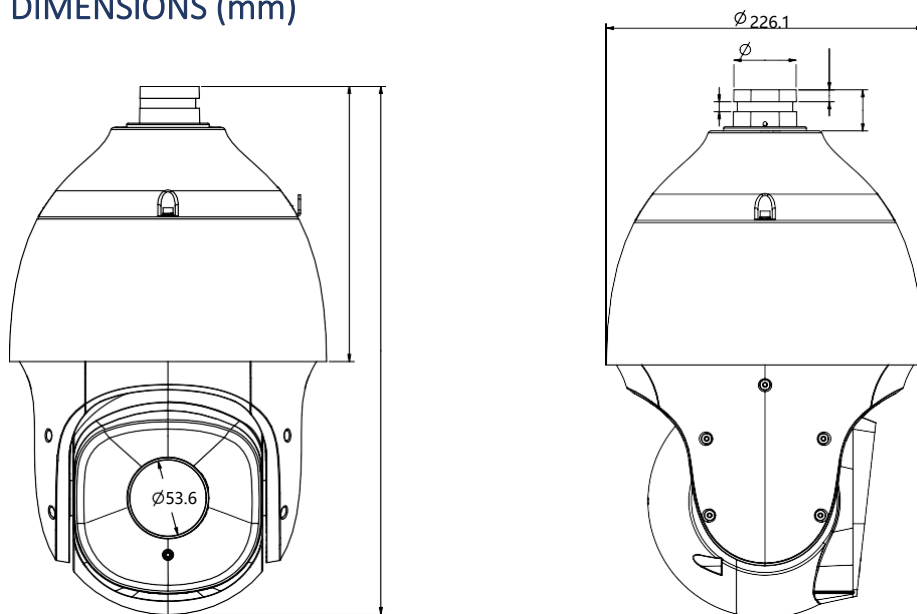
- Up to 1920x1080@60fps
- Min. illumination Color: 0.001Lux@F1.5
- Optical zoom: 33X, digital zoom 16X
- Smart IR, IR Range: 200m
- S+265/H.265/H.264/M-JPEG
- Intelligent monitoring/ Face Capture mode
- Support Auto-tracking
- IP67

| Camera               |  |
|----------------------|--|
| Image Sensor         | 1/2.8" CMOS  |
| Signal System        | PAL/NTSC   |
| Min. Illumination    | Color: 0.001lux@ (F1.5, ACG ON), BW: 0lux with IR  |
| Shutter Time         | 1s to 1/100,000s   |
| Day & Night          | Dual IR Cut Filter with Auto Switch  |
| Wide Dynamic Range   | 140dB  |
| Optical Zoom         | 33x  |
| Digital Zoom         | 16x  |
| Lens                 |  |
| Focal Length         | 4.6mm~152mm  |
| Zoom Speed           | <4s  |
| Angle of View        | Horizontal filed of view: 60° (w)~2.3° (t) Vertical filed of view: 34.4° (w)~1.5° (t)                      |
| Aperture Range       | F1.5~F4.0  |
| Pan&Tilt             |  |
| Pan Range            | 360°   |
| Pan Speed            | Pan Manual Speed: 0.1°~180°/s, Pan Preset Speed: 240°/s  |
| Tilt Range           | -16°~90° (Auto flip)   |
| Tilt Speed           | Tilt Manual Speed: 0.1°~120°/s, Tilt Preset Speed: 180°/s  |
| 3D Position          | Yes  |
| Presets              | 500  |
| Preset Accuracy      | ±0.4°  |
| Scan                 | 8  |
| Cruise               | 16, up to 32 presets per cruise  |
| Pattern              | 8, each with 600s memory or 1000 orders  |
| Power-off Memory     | Yes  |
| RS-485 Protocols     | DOME_PELCO_D, DOME_PELCO_P, DOME_PLUS  |
| Illuminator          |  |
| IR LEDs              | 10   |
| IR Range             | Up to 200m   |
| IR Irradiation Angle | Adjustable by Zoom   |
| White LEDs           | N/A  |
| Compression Standard |  |
| Video Compression    | S+265/H.265/H.264/M-JPEG   |
| Video Bit Rate       | 32Kbps~16Mbps  |
| Audio Compression    | G.711A/G.711U/ADPCM_D/AAC_LC   |
| Audio Bit Rate       | 8K ~ 48Kbps  |
| Image                |  |
| Max. Resolution      | 2.0MP(1920×1080)   |
| Main Stream          | PAL: 50fps (1920×1080, 1280×720, 704x576, 640x480)   |
|                      | NTSC: 60fps (1920×1080, 1280×720, 704x576, 640x480)  |
| Sub Stream           | PAL: 25fps (704×576, 704×288, 640×360, 352×288)  |
|                      | NTSC: 30fps (704×480, 704×240, 640×360, 352×240)   |
| Third Stream         | PAL: 25fps(1920x1080, 704×576, 704×288, 352×288)   |
|                      | NTSC: 30fps(1920x1080, 704×480, 704×240, 352×240)  |
| Image Setting        | Saturation, brightness, contrast, sharpness, adjustable by client software or web browser                  |
| Image Enhancement    | BLC/3D DNR/HLC   |
| ROI                  | 7 Dynamic Areas for Both Main and Sub Stream, support auto-tracking ROI                                    |
| OSD                  | 16×16, 24×24,32×32, 48×48, 64x64, 96x96, adaptable size, Letters Such as Week, Date, Time, Total 5 Regions |
| Picture Overlay      | Yes  |
| Privacy Mask         | Yes  |
| Smart Defog          | Yes  |

| Feature                      |  |
|------------------------------|--|
| Alarm Trigger                | Harsh Voice Alarm, Motion Detection, Mask Alarm, Port Alarm, Network Disable Alarm, IP Conflict, MAC Conflict Detection  |
| Video Analytics              | Tripwire, Double Tripwire, Perimeter, Object Abandon, Object Lost, Loitering, Running, Parking, Heatmap, Video Abnormal, Crowd, Audio Abnormal, Demographics(People Counting), On Duty Detection, Safety Helmet Detection, Auto tracking, Face Capture |
| Early Warning(EW)            | N/A  |
| Auto-Tracking                | Yes  |
| Face Detection and Analytics |  |
| Operating Mode               | Face capture, intelligent monitoring optional, default intelligent monitoring  |
| Face Detection Performance   | Detects up to 16 faces at the same scene   |
| Face Exposure Brightness     | Default 35, 1~100 brightness optional  |
| Min. Face Pixel              | Default 80, 19~1920 optional   |
| Precautionary Alert          | Three level  |
| Network                      |  |
| Protocols                    | TCP/IP, ICMP, HTTP, HTTPS, FTP, DHCP, DNS, DDNS, RTSP, PPPoE, NTP, UPnP, SMTP, IGMP, QoS, IPV4, IPV6, MULTICAST, RTMP  |
| System Compatibility         | ONVIF (PROFILE S/T/G), SDK, CGI, P2P   |
| ANR                          | Auto store video in SD card when NVR disconnected, and upload video to NVR when resumed connection   |
| Remote Connection            | 7  |
| Client                       | Neius Control  |
| Web Version                  | web6   |
| Interface                    |  |
| Communication Interface      | 1 RJ45 10M/100M self adaptive Ethernet port  |
| Audio                        | 1/1  |
| Alarm                        | 8/2  |
| Speaker                      | N/A  |
| Reset Button                 | Yes  |
| On-board storage             | Built-in Micro SD card slot, up to 256 GB  |
| RS-485                       | Yes  |
| BNC                          | Yes  |
| Wiper                        | N/A  |
| General                      |  |
| Firmware Version             | -  |
| Web Client Language          | 15 languages<br>Simplified Chinese, Traditional Chinese, English, Spanish, Korean, Italian, Turkish, Russian, Thai, French, Polish, Dutch, Hebrew, Arabic, Vietnamese  |
| Operating Conditions         | -40°C~70°C (IR OFF), -40°C~40°C (IR ON), 0-95%RH   |
| Power Supply                 | AC24V±25% / DC 24V±10% / POE++   |
| Power Consumption            | 22W (IR OFF), 49W (IR ON)  |
| Protection                   | IP67, Lightning protection, surge protection and voltage transient protection meets EN 55035:2017  |
| Heater                       | N/A  |
| Dimensions                   | Φ222x372mm   |
| Weight                       | 5.3kg  |

## 1099/396 2MP 33X Starlight IR POE AI PTZ Camera

### DIMENSIONS (mm)



### ACCESSORIES



Wall Mount  
Included



3000/146  
Junction box



3000/143  
Pendant bracket



3000/147  
Pole adapter



3000/145  
Corner adapter

*Technical specifications are subject to changes without notice.*

**Urmet S.p.A.** | Via Bologna, 188/C | 10154 TORINO (ITALY)

**T +39 011.24.00.000**

**info@urmet.com | urmet.com**

**CUSTOMER SERVICE +39 011.23.39.810**