



Cod.1099/391

2MP 4X Starlight IR POE AI PTZ Camera

TECHNICAL FEATURES

- Early Warning (EW)
- Up to 1920x1080@30fps
- Min. illumination Color: 0.002Lux@F1.4
- Optical zoom: 4X digital zoom 16X
- Smart IR, IR Range: 30m
- Support Human/Vehicle Classification
- Built-in Mic&Speaker
- S+265/H.265/H.264/M-JPEG

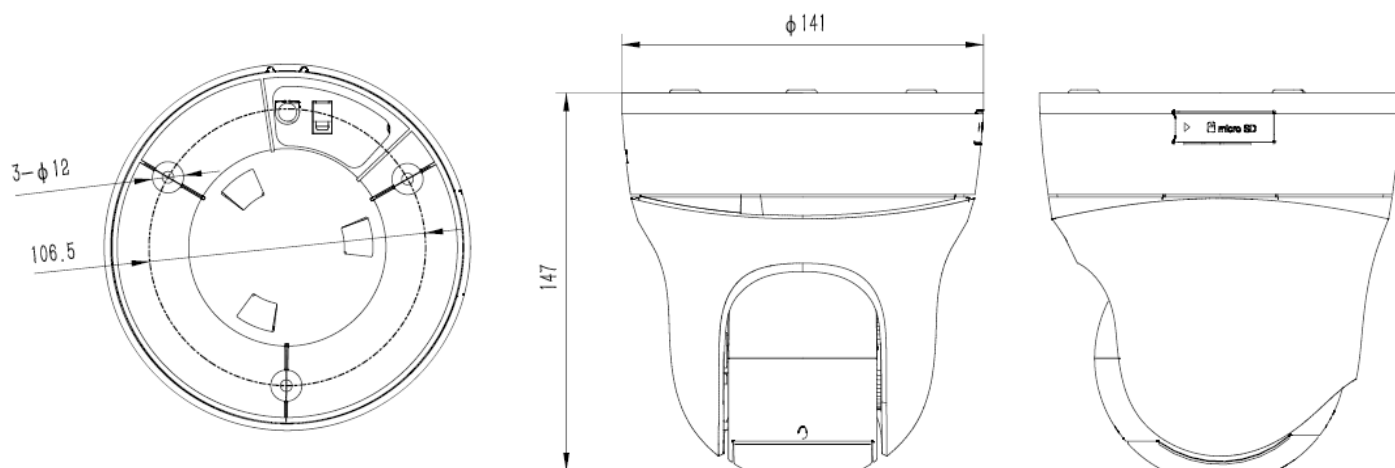


Camera	
Image Sensor	1/2.8" CMOS
Signal System	PAL/NTSC
Min. Illumination	Color: 0.002lux@ (F1.4, ACG ON), BW: 0lux with IR
Shutter Time	1s to 1/100,000s
Day & Night	Dual IR Cut Filter
Wide Dynamic Range	120dB
Optical Zoom	4x
Digital Zoom	16x
Lens	
Focal Length	2.8mm~12mm
Zoom Speed	<5s
Angle of View	Horizontal: 104° (w)~30° (t)
Aperture Range	F1.4~F2.8
Pan&Tilt	
Pan Range	350°
Pan Speed	Pan Manual Speed: 0.1°~60°/s, Pan Preset Speed: 60°/s
Tilt Range	0°~90° (Auto flip)
Tilt Speed	Tilt Manual Speed: 0.1°~60°/s, Tilt Preset Speed: 60°/s
3D Position	Yes
Presets	500
Preset Accuracy	±0.6°
Scan	8
Cruise	16, up to 32 presets per cruise
Pattern	8, each with 600s memory or 1000 orders
Power-off Memory	Yes
RS-485 Protocols	DOME_PELCO_D, DOME_PELCO_P, DOME_PLUS
Illuminator	
IR LEDs	3
IR Range	Up to 30m
IR Irradiation Angle	Fixed
White LEDs	1
Compression Standard	
Video Compression	S+265/H.265/H.264/M-JPEG
Video Bit Rate	32Kbps~16Mbps
Audio Compression	G.711A/G.711U/ADPCM/AAC
Audio Bit Rate	8K~48Kbps
Image	
Max. Resolution	2.0MP (1920×1080)
Main Stream	PAL: 25fps (1920×1080, 1280×960), 50fps (1280×720) NTSC: 30fps (1920×1080, 1280×960), 60fps (1280×720)
Sub Stream	PAL: 25fps (704×576, 704×288, 352×288) NTSC: 30fps (704×480, 704×240, 352×240)
Third Stream	PAL: 25fps(352×288) NTSC: 30fps (352×240)
Image Setting	Saturation, brightness, contrast, sharpness, adjustable by client software or web browser
Image Enhancement	BLC/3D DNR/HLC
ROI	7 Dynamic Areas for Both Main and Sub Stream
OSD	16×16, 24×24,32×32, 48×48, 64×64, 96×96, adaptable size, Letters Such as Week, Date, Time, Total 5 Regions
Picture Overlay	Yes
Privacy Mask	Yes
Smart Defog	Yes

Feature	
Alarm Trigger	Harsh Voice Alarm, Motion Detection, Mask Alarm, Port Alarm, Network Disable Alarm, IP Conflict, MAC Conflict Detection
Video Analytics	Tripwire, Double Tripwire, Perimeter, Object Abandon, Object Lost, Loitering, Running, FaceDetection, Crowded, Video Abnormal, Audio Abnormal, Heatmap
Early Warning(EW)	Yes
Auto-Tracking	N/A
Network	
Protocols	TCP/IP, ICMP, HTTP, HTTPS, DHCP, DNS, DDNS, MULTICAST, UPnP, FTP, IPV4, NTP, RTSP, SMTP,IGMP, QoS, PPPoE
System Compatibility	ONVIF (PROFILE S), SDK, CGI, P2P
ANR	Auto store video in SD card when NVR disconnected, and upload video to NVR when resumed connection
Remote Connection	7
Client	Neius Control
Web Version	Web5
Interface	
Communication Interface	1 RJ45 10M/100M self adaptive Ethernet port
Audio	1/1 Mic in
Alarm	2/1
Reset Button	Yes
On-board storage	Built-in Micro SD card slot, up to 128 GB
RS-485	Yes
BNC	N/A
General	
Firmware Version	NVSS_14.1.3 20180918
Web Client Language	11 languages English, Russian, Spanish, Korean, Italian, Turkish, Simple Chinese, Traditional Chinese, Thai, French, Polish
Operating Conditions	-10°C~50°C, 0-90%RH
Power Supply	DC12V±10%/POE
Power Consumption	4.9W(IR OFF), 8.9W(IR ON)
Protection	IP40
Heater	N/A
Dimensions	Φ141x152mm
Weight	0.85kg

1099/391 2MP 4X Starlight IR POE AI PTZ Camera

DIMENSIONS (mm)



ACCESSORIES



3000/136
Wall Mount



3000/131
Junction Box



3000/147
Pole adapter



3000/145
Corner adapter

Technical specifications are subject to changes without notice.

Urmet S.p.A. | Via Bologna, 188/C | 10154 TORINO (ITALY)

T +39 011.24.00.000

info@urmet.com | urmet.com

CUSTOMER SERVICE +39 011.23.39.810